

NOTICE:
Product manufacturing changes to SDNA-1000 saliva collection device.

Dear Customer;

In an effort to increase and streamline production efficiency we have incorporated a few small changes to the dimension of the SDNA-1000 saliva collection tube. As a customer of Spectrum, we wanted to make you aware of these changes in advance.

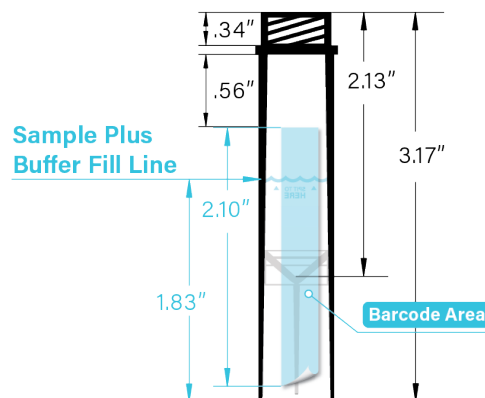
In an attempt to help you identify boxes that contain the new tube design an orange sticker is placed next to the master shipper box label with the letters “FR”. Additionally, you will also see that the new tube barcodes all start with the letters “FR”.



Please let me know if you have any issues or concerns with these changes being implemented in the next 15 days.

Sincerely,
Spectrum Solutions

New Tube



Existing Tube

