



# SALIVA-BASED MULTI-OMIC COLLECTION PLATFORM

- ✓ Proteomic & Genomic Applications
- ✓ Extended Sample Stability at Room Temperature
- ✓ Extractionless Testing with Direct Amplification
- ✓ Revolutionary Analyte Release
- ✓ Cross-Platform Capabilities



## S+MD

### NOVEL SALIVA MULTI-OMIC COLLECTION PLATFORM

The capabilities of Spectrum's novel saliva collection and preservation technologies continue to not only impress but amaze industry experts worldwide.

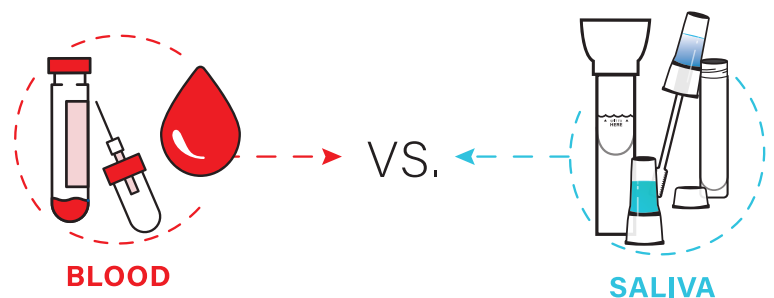
For decades, the limited ability to preserve proteins found in non-serological specimens has plagued advancements in the scientific and medical communities. Saliva contains many of the same biomarkers found in blood and is already being used for many screening applications. Analysis of the proteome from saliva has not been fully realized due to stability and reliability issues during the time of collection; this has left a large gap for those driving novel applications and clinical research targeting the general population.

The Spectrum Solutions new collection platform highlights a first-in-class preservation buffer aimed at stabilizing proteins for multiple days at room temperature, while also providing cross-platform compatibility. Remarkably, the S+MD preservation innovation has also demonstrated detection of intact cellular components for multi-omic biological analysis.

In addition to maintaining biosample consistency, independent laboratory validation of the S+MD system has additionally proven to lessens viscosity, reduces interference, increases assay reproducibility, and significantly lower costs associated with time and process inefficiencies.

### EARLY DISCOVERY DATASET

Somalogic's platform is widely used as a discovery tool to screen over 7500 protein analytes. While developed using primarily serological specimens, Spectrum initially set out to demonstrate concordance with matched saliva collected in their new S+MD device.



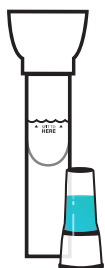
In an exciting finding, Somalogic testing performed by an independent lab reported detection of all 7500 analytes in both saliva and serum specimens. While levels of detection will be variable, this discovery dataset provides insight into extending saliva's capabilities in diagnostic testing and disease monitoring. When mining the dataset, this includes biomarkers characterized in oncology, neurodegeneration, autoimmunity, and chronic inflammation.

# DEVICE & BUFFER OVERVIEW

SALIVA COLLECTION & ANALYTE STABILIZATION FOR LDT MULTI-OMIC APPLICATIONS



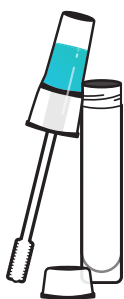
SPECIMEN COLLECTION



**Salivary Expectorant Specimen Collection**

and/or

**Oral & Nasal Swab Specimen Collection**



**+ Viral / Pathogen (RNA)  
Molecular Dx (DNA)**

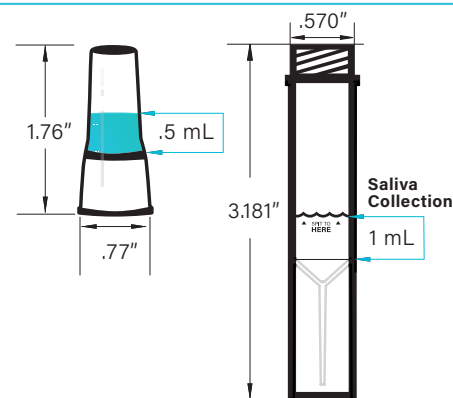
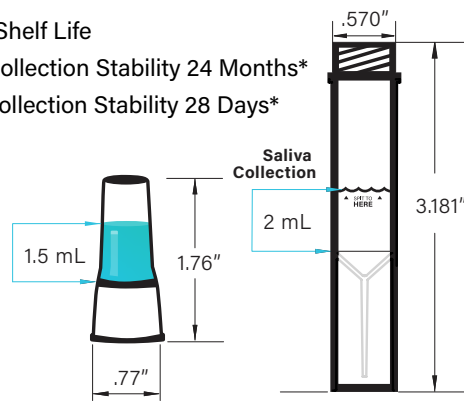
- Three-Year Shelf Life
- DNA Post-Collection Stability 24 Months\*
- RNA Post-Collection Stability 28 Days\*

**CV<sup>3</sup>**

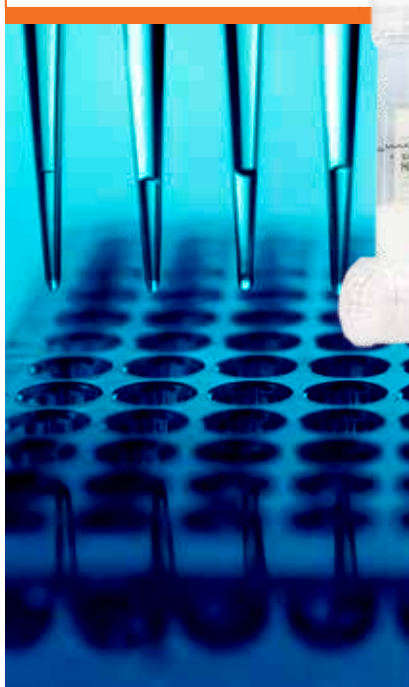
**PRESERVATION  
BUFFERS**

**+ Proteomic  
Protein / Hormone  
Extraction-less Genetics (DNA)  
Expression Profiles (RNA)**

**SMD**



**First** buffer purpose-built to stabilize both salivary proteins and genomic material post-collection for days **at room temperature**.



- SMD<sup>1</sup>X Two Year Shelf Life
- SAB<sup>5</sup>X 90 Day Shelf Life\*
- Up to 14-Days Post-Collection Stability for Proteins\*\*
- Over 10-Days Post-Collection Stability for DNA\*

\*Lab partner data with on-going evaluation & updates \*\* depending on protein

## SALIVA vs. SEROLOGY

**Over blood, saliva delivers many user advantages.** Saliva collection is non-invasive, pain-free, fast, safe, easily repeatable, and cost-effective. Spectrum's saliva collection devices are designed to eliminate testing failures resulting from user error and have been engineered to lead the saliva collection market in molecular screening and diagnostic applications. In addition, the self-collection of samples makes it the ideal testing matrix for supporting direct-to-consumer (DTC) and diagnostics-as-a-service (DaaS) LDT and IVD testing applications. This self-contained saliva collection system provides critical sample consistency, quality, and supports laboratory automation for high-throughput analyses.

MEDICAL SCIENCE | COMPOUNDING PHARMACY | CLINICAL MANUFACTURING

© Spectrum Solutions® - The information contained in this document is the sole property of Spectrum Solutions, LLC. Any reproduction in part or as a whole without the written permission of Spectrum Solutions, LLC is prohibited. The components of Spectrum's specimen collection systems and stabilization chemistries are protected by issued and pending patents. All products or any claims illustrated herein are currently intended for laboratory developed testing only.



12248 Lone Peak Parkway, Suite 106  
Draper, Utah 84020

801 569 0465

sales@spectrumsolution.com

spectrumsolution.com

